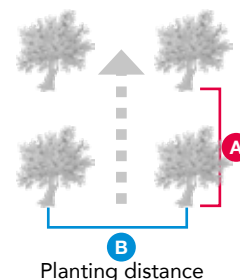


# Umbrella-box harvesters for front high performance olives harvesters

Serie 130

## Standard equipment:

- › Inverted umbrella
- › Hitch to the front of the tractor
- › Cab control operated by tractor control
- › Independent umbrella opening regulation

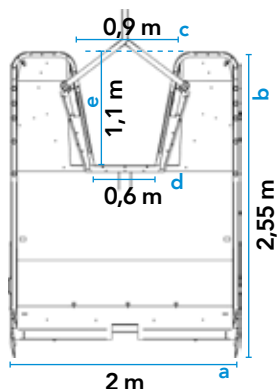


CODE	MODEL UMBRELLA-BOX	UMBRELLA FOLDER / FIX	BOX DIMENSIONS (m)					Ø (m)	POWER (CV)	MINIM. PLANTING DISTANCE (m)*	
			a	b	c	d	e			A	B
1041010011	P130 E	F	2	2,55	0,9	0,6	1,1	6	70	7	8
1041010013	P90	F	2	2,55	0,9	0,6	1,1	7	70	6	7
1041010014	P90 PH	A.H.	2	2,55	0,9	0,6	1,1	7	70	6	7
1041010008	P120	F	2,3	2,55	1,2	0,9	1,3	8	100	7	8
1041010009	P120 PH	A.H.	2,3	2,55	1,2	0,9	1,3	8	100	7	8
1041010010	P130	F	2,3	2,85	1,3	1,3	1,6	8	100	7	8
1041010012	P130 PH	A.H.	2,3	2,85	1,3	1,3	1,6	8	100	7	8

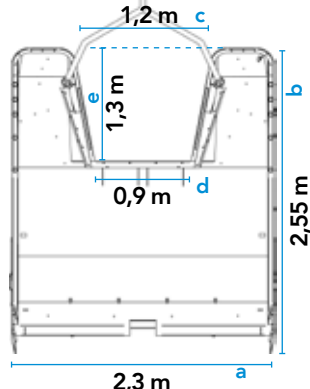
F: Fixed | A.H.: Hydraulic folding | (\*) Minimum advisable planting distance

## Box dimensions

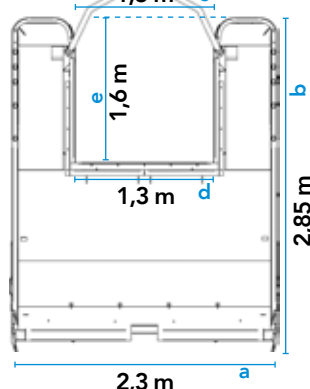
P90



P120



P130



- a: Total width
- b: Total length
- c: Tree entrance opening
- d: Interior width
- e: Interior length

## Option



Quick collector hitch

CODE  
2041010008