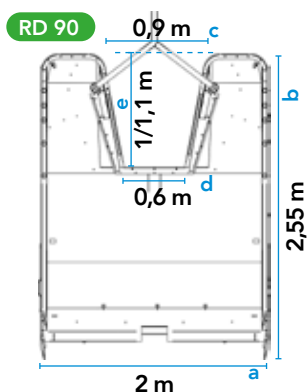
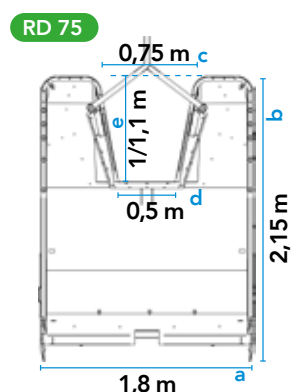


# Dry nuts harvesters with front umbrella

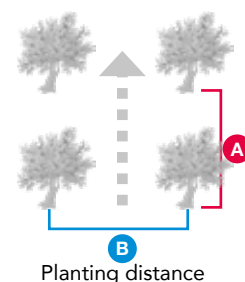
Serie 90

## Standard equipment:

- › Simultaneous opening movement of umbrella and vibrating heads.
- › Independent regulation of the fold/unfold speed of the umbrella.
- › System of orbital vibration
- › Bimass vibrating head with 1-2 y 1-2-3 mass supplements as standard.
- › Rear hydraulic central with quick hydraulic plugs and counter-weight.
- › Peelers with independent regulation.
- › In-cab electronic control box.
- › Supplement 2 mass.
- › Supplement 3 mass.
- › PTO SHAFT 540 r.p.m.
- › Optimal working revolutions: 380 r.p.m.



- a: Total width
- b: Total length
- c: Tree entrance opening
- d: Interior width
- e: Interior length



CODE	MODEL	TRANSV. ORIENT. 35°	HEAD ELEVAT.	BOX DIMENSIONS (m)							Ø UMBRELLA (m)	POWER (CV)	MINIM. PLANTING DISTANCE (m)*	
				Adjust. grid	Peelers	a	b	c	d	e			A	B
1041050005	RD 75 E	OP	x	x	x	1,8	2,15	0,75	0,5	1	6,5	70	5	6
1041050004	RD 75	OP	•	•	x	1,8	2,15	0,75	0,5	1	6,5	70	5	6
1041050006	RD 75 P	OP	•	•	2	1,8	2,15	0,75	0,5	1	6,5	70	5	6
1041060001	RD 90	•	•	•	x	2	2,55	0,9	0,6	1,1	7	80	6	7
1041060002	RD 90 P	•	•	•	2	2	2,55	0,9	0,6	1,1	7	80	6	7

• Available | x: Not available | OP: Option | (\*) Minimum advisable planting distance

Options



Sequencer harvester (recolect. de almendra)

CODE  
2049010004



RD 75 clamp turn system (35°)

CODE  
2041050004



Lateral movement of umbrella RD 75 P

CODE  
2041050003



Tightening vibrating head adjustment kit RD 75 and RD 90

CODE  
2041060002



Set of cover for peelers (2 units)  
RD 90

CODE  
2041060001

RD 75

CODE  
2041050001



Increment for umbrella (we need new Ø) 8 m. max.

CODE  
2049010006



Increment per joystick

CODE  
2049000001



Kit "young olive trees" for RD 75 P

CODE  
2041050010



Kit "young olive trees" for RD 90 P

CODE  
2041060006



Deck support increment mounted for RD 75 P

CODE  
2041070015



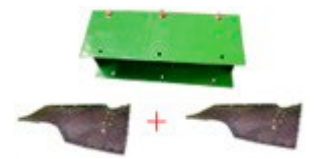
Deck support increment mounted for RD 90 P

CODE  
2041060007



Kit to guide to the trunk for RD 75 P

CODE  
2041050011



Kit to guide to the trunk for RD 90 P

CODE  
2041010001



Replacement of standard mallets by mallets with soft clamp in RD 75 P

CODE  
2041070006



Replacement of standard mallets by mallets with soft clamp in RD 90 P

CODE  
2041060003



Replacement of the standard skirt by soft skirt in equipment RD 75 P

CODE  
2041070007



Replacement of the standard skirt by soft skirt in equipment RD 90 P

CODE  
2041060004